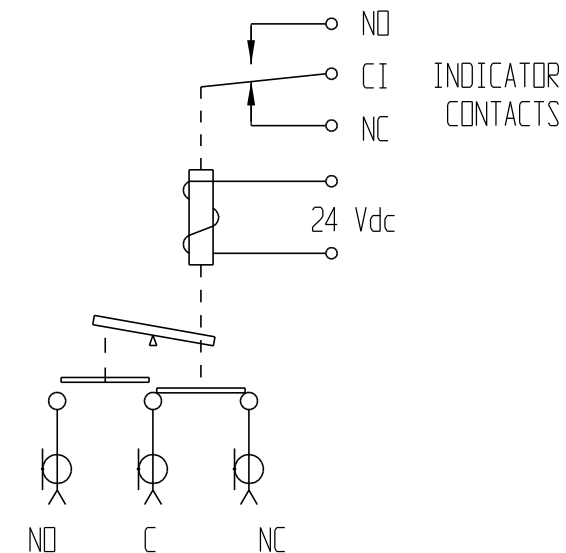
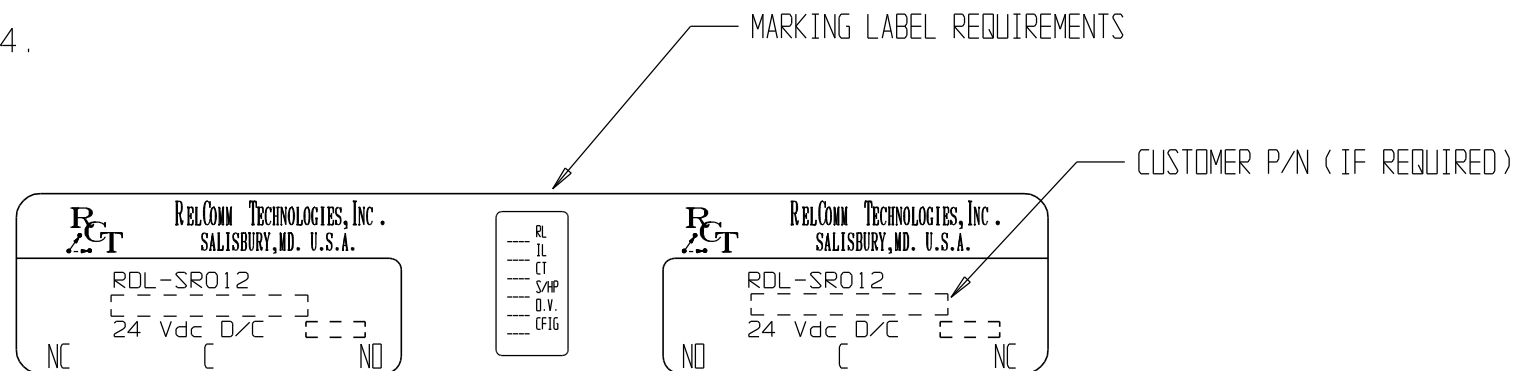


NOTES:

1. INTERPRET CALLOUTS/SYMBOLS PER ASME Y14.5M-1994.



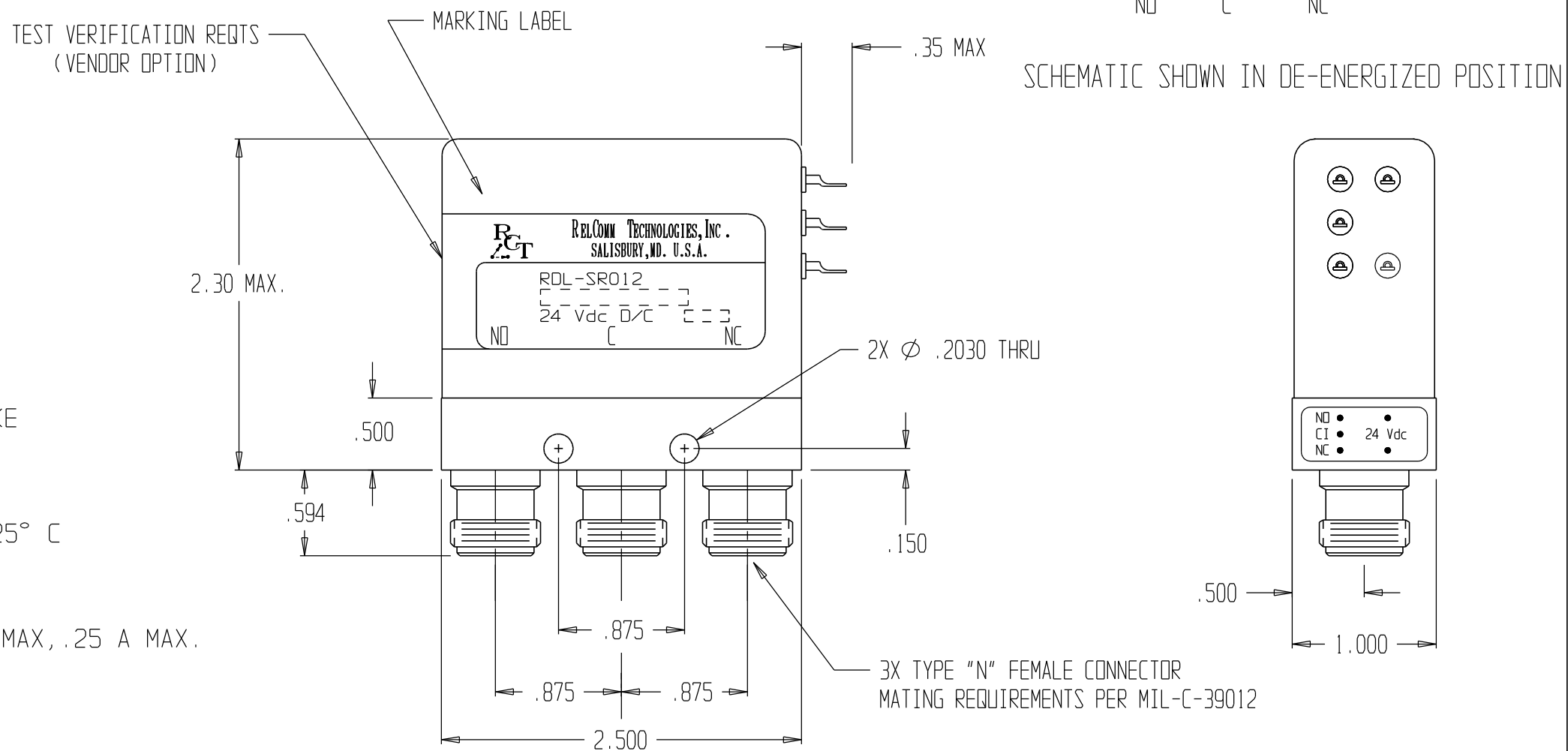
CHARACTERISTICS:

NOMINAL IMPEDANCE (OHM) -----	50
FREQUENCY RANGE (GHz) -----	DC-1    1-2
V.S.W.R. (MAX) -----	1.10:1    1.15:1
INSERTION LOSS (dB MAX) -----	0.10    0.15
ISOLATION (dB MIN) -----	80    80
RF POWER CW (WATTS) -----	1 KW @ 1 GHz

TEMPERATURE RANGE (OPERATING) --	-25° C - +65° C
TEMPERATURE RANGE (STORAGE) ----	-40° C - +85° C
SWITCHING ACTION (FAILSAFE)-----	BREAK BEFORE MAKE
OPERATING VOLTAGE (OVER TEMP) --	20 - 28 Vdc
PICKUP VOLTAGE (MAX @ 25° C) ----	18 Vdc
DROPOUT VOLTAGE -----	> 2 Vdc
ACTUATING CURRENT (mA MAX) -----	120 @ 24 Vdc & 25° C
SWITCHING TIME (MAX) -----	25 mSEC
LIFE (MIN PER POSITION) -----	1 * 10^5 CYCLES
INDICATOR CONTACT RATING -----	5 W TYP, 175 Vdc MAX, .25 A MAX.
WEIGHT (OZ) -----	8.0 NOM

MATERIALS/FINISH:

HOUSING -----	ALUMINUM/SILVER
COVER -----	ALUMINUM/BLACK ANODIZED
CONNECTORS ---	BRASS/SILVER
INSULATION ---	HI-TEMP PLASTIC
CONTACTS -----	BERYLLIUM COPPER/GOLD
TERMINALS -----	Ni-Fe/Sn-70 SOLDER



REV	ECN NO.	DATE	APPROVAL
-	PROD RELEASE	06/23/05	B. JONES
C	REVISED	1/24/05	M. MAGDA
B	REVISED	9/5/00	MM
A	PRELIMINARY	7/21/00	M. MAGDA

UNLESS OTHERWISE SPECIFIED:  
 DIMENSIONS ARE IN INCHES  
 AND INCLUDE PLATING.  
 TOLERANCES  
 .XX ± .02    FRACTIONS ±  
 .XXX ± .010    SURFACE QUALITY  
 .XXXX ± .0050    63/ MAX  
 THIRD ANGLE PROJECTION

DR M. MAGDA 7/21/00  
 CK B. JONES  
 ENG M. MAGDA  
 MFG  
 QA  
 THIS DRAWING AND SPECIFICATIONS ARE THE PROPERTY  
 OF RELCOMM TECHNOLOGIES AND SHALL NOT BE  
 REPRODUCED OR COPIED OR USED IN WHOLE OR IN PART  
 AS THE BASIS FOR THE MANUFACTURE OR SALE  
 OF ITEM(S) WITHOUT WRITTEN PERMISSION.

<b>EXCELLENCE BY DESIGN</b>		<b>RELCOMM TECHNOLOGIES, INC.</b> 610 BEAM STREET SALISBURY, MARYLAND 21801	
TITLE COAXIAL RELAY "HI-POWER" "FAILSAFE" 1P2T W/INDICATORS			
SIZE B	DWG NO.	RDL-SR012	
SCALE 1:1	DO NOT SCALE DWG	SHEET 1 OF 1	